

Wall Isolation Type WTRW

±2mm Deflection, Heavy Duty Resilient Wall Tie

APPLICATION

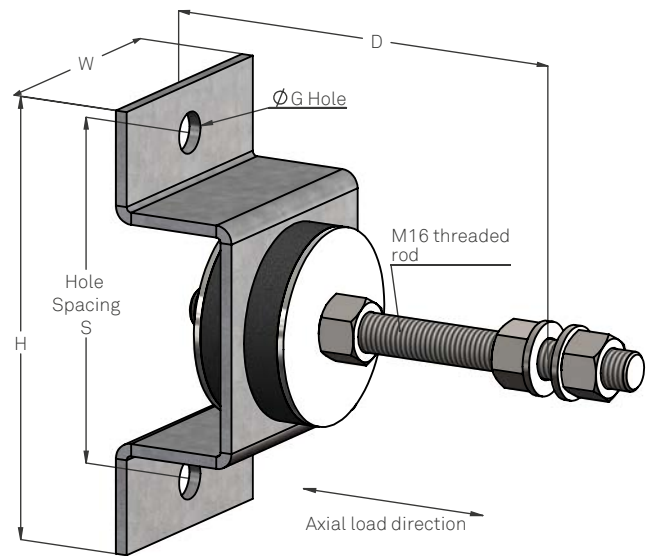
WTRW wall ties, for axial loads only, are used for applications where a resilient connection is required between masonry and stud wall members. This wall tie provides structural support while also minimising transmission of structure-borne noise and vibration. They are especially useful for areas requiring high degrees of isolation, such as cinemas and recording studios. WTRW brackets are made for resiliently mounting areas where high loads are expected.

FEATURES

- Resilient natural rubber isolating element
- Rubber element pre-compressed to 4mm
- Rugged, heavy gauge steel bracket

OPTION

- Length of threaded rod can be made to order within the D min and D max values



WTRW

WTRW PRODUCT GUIDE

Type	W mm	H mm	S mm	D Min mm	D Max mm	ØG mm	Short Term Axial Load kN	Long Term Axial Load kN
WTRW1	75	136	110	102	900	13	±2.5	±1.5
WTRW2-1	100	150	124	100	900	13	±3.6	±2.4
WTRW2-2	100	150	124	100	900	13	±4.8	±3.4
WTRW3	100	182	142	98	700	17	±7.0	±4.6

MISALIGNMENT CAPABILITY

Because of the resilient rubber mounts, the WTRW brackets can accept a misalignment of up to 1.5mm in any direction parallel to the wall face.

PERFORMANCE CHARACTERISTICS

Axial loads: Load deflection is close to linear from 10% to 100% load.

Creep: Maximum 4% deflection per decade of time (ref 1 minute).

WALL ISOLATION SELECTION

When selecting wall ties, it is recommended that the calculated wall load is overestimated by 10-20% to avoid overloading of any element.

INSTALLATION

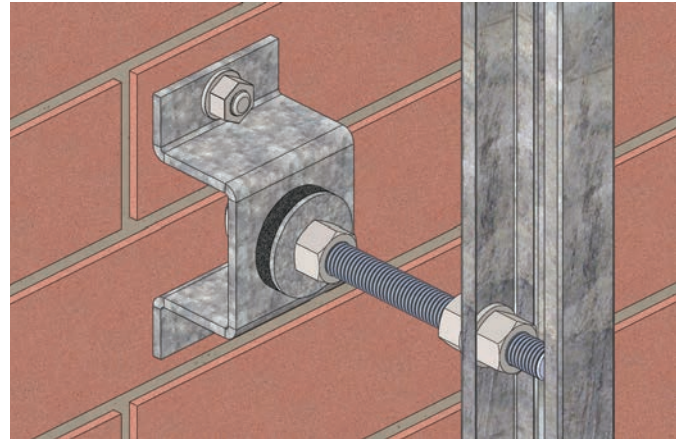
1. Attach bracket to wall surface using bolts appropriate to the wall material (refer to table for size).
2. Drill a hole in the stud and tighten nuts and washers on each face of the stud to secure. Rod can be cut down if necessary.
3. Use a spacing of no more than 600x600mm between wall ties. Around openings and control joints, the spacing should be halved.

TECHNICAL ASSISTANCE

All Embelton offices can provide detailed technical assistance on the use of this product in specific applications.

CONDITIONS OF SALE

These products are sold subject to the published Embelton General Conditions of Sale, copies of which may be inspected on request.



WTRW INSTALLATION

SPECIFICATION

Wall cavity supports shall incorporate a pre-compressed resilient rubber element in combination with a heavy duty steel bracket. The rubber element shall have a minimum deflection under rated load of 2mm. They shall be type WTRW as supplied by Embelton.