

Wall Isolation Type WTHE / WTHES

±2.5mm Deflection, Medium Duty Resilient Wall Tie

APPLICATION

WTHE/WTHES wall ties, for horizontal loads only, are used for applications where a resilient connection is required between a masonry or stud wall. The mount provides structural support while also minimising transmission of structure-borne noise and vibration. They are especially useful for areas requiring high degrees of isolation, such as cinemas and recording studios.

FEATURES

- Resilient natural rubber isolating element
- Wall tie pre-compressed to 5mm deflection before installation
- Rugged, heavy gauge steel bracket

OPTION

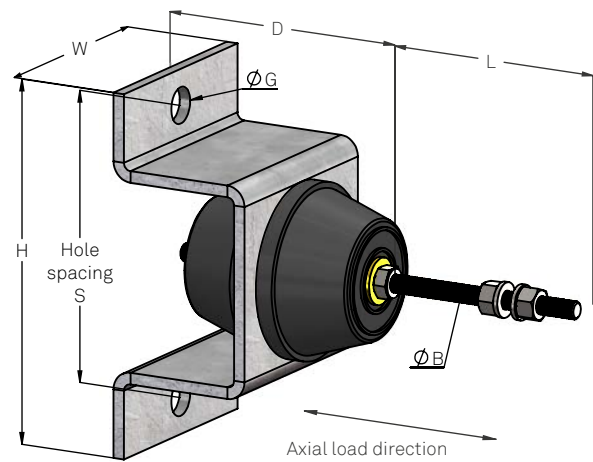
- Available in mortar embedment version (WTHE) or general purpose version (WTHES)

WTHE (1 or 2) S Version

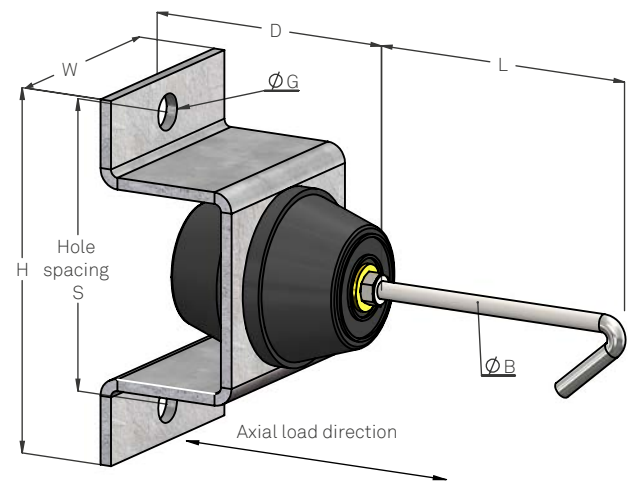
- For general purpose use

WTHE (1 or 2) Version

- For embedment in mortar courses



WTHES DIMENSIONS



WTHE DIMENSIONS

WTHE PRODUCT GUIDE

Type	W mm	H mm	D mm	S mm	L mm	ØG mm	ØB mm	Maximum Axial Load kN
WTHE1	60	106	75	80	100	13	M6	0.5
WTHE1S	60	106	77	80	75	13	M8	0.5
WTHE2	75	126	90	100	90	13	M6	1.25
WTHE2S10	75	126	102	100	300	13	M10	1.25
WTHE2S12	75	126	102	100	450	13	M12	1.25
WTHE2S16	75	126	102	100	900	13	M16	1.25

MISALIGNMENT CAPABILITY

Because of the resilient rubber mounts, the WTHE brackets can accept a misalignment of up to 5mm in any direction parallel to the wall face.

PERFORMANCE CHARACTERISTICS

Axial loads: Deflection is close to linear from 10% to 100% load.

Creep: Maximum 4% deflection per decade of time (ref 1 minute).

WALL TIE SELECTION

When selecting wall ties, it is recommended that the calculated wall load is overestimated by 10-20% to avoid overloading of any element.

INSTALLATION

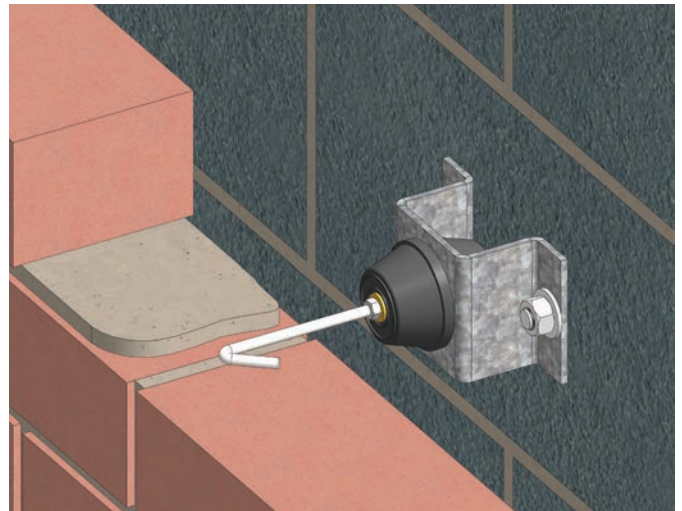
1. Attach bracket to brickwork using appropriate masonry anchors (refer to table).
2. For the WTHE version, the hook needs to be embedded in the mortar course and the mortar allowed to set.
3. For the WTHES version, drill a hole in the mounting surface and tighten nuts and washers on each face to secure. Rod can be cut down if necessary.
4. Use a spacing of 600x600mm between wall ties. Around openings and control joints the spacing should be halved.

TECHNICAL ASSISTANCE

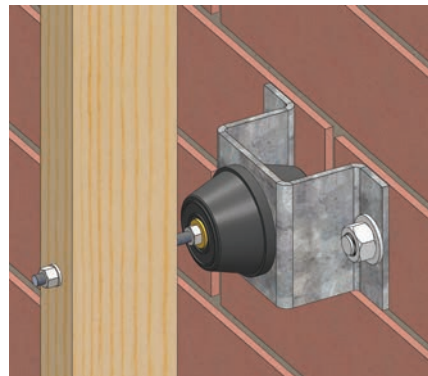
All Embelton offices can provide detailed technical assistance on the use of this product in specific applications.

CONDITIONS OF SALE

These products are sold subject to the published Embelton General Conditions of Sale, copies of which may be inspected on request.



WTHE-1 INSTALLATION



WTHE-1S INSTALLATION

SPECIFICATION

Wall cavity supports shall incorporate a resilient rubber element, pre-compressed by 5mm, in combination with a heavy duty steel bracket, offering ± 2.5 mm static deflection. The rubber element shall have a minimum deflection under rated load of 2mm. They shall be type WTHE/WTHES as supplied by Embelton.