

Wall Isolation Type 310 Series

±1.25mm Deflection, Medium Duty Resilient Wall Tie

APPLICATION

The 310 series, designed for axial loads only, is used for applications where a resilient connection is required between wall members. The wall tie provides structural support while also minimising transmission of structure-borne noise and vibration. They are especially useful for areas requiring high degrees of isolation, such as cinemas and recording studios.

FEATURES

- Shearflex rubber pad isolating element
- Rugged, heavy gauge steel bracket

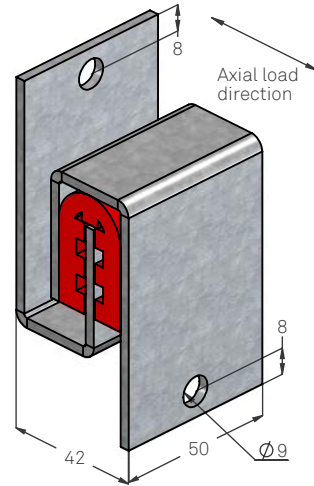
PERFORMANCE CHARACTERISTICS

Type 310DM

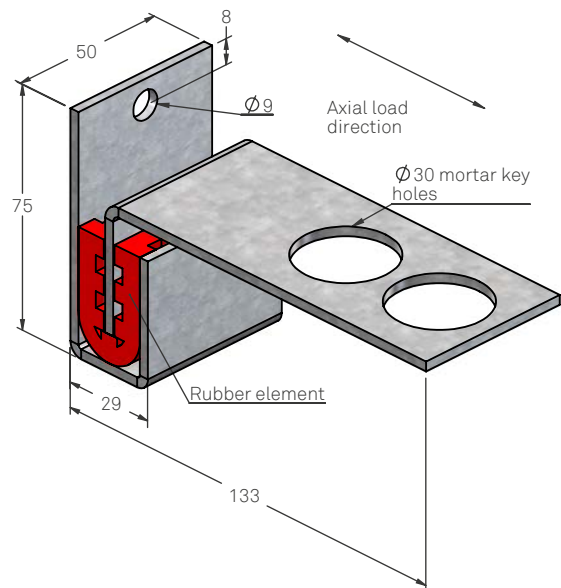
- For use with masonry walls
- Maximum load: 500N
- Horizontal stiffness: Nominally 400N/mm

Type 310

- General purpose use
- Maximum load: 500N
- Horizontal stiffness: Nominally 400N/mm



310 DIMENSIONS



310DM DIMENSIONS

PERFORMANCE CHARACTERISTICS

Axial loads: Load deflection is close to linear from 10% to 100% load.

Creep: Maximum 4% deflection per decade of time (ref 1 minute).

WALL TIE SELECTION

When selecting wall ties, it is recommended that the calculated horizontal wall load is overestimated by 10-20% to avoid overloading of any element.

INSTALLATION

1. Attach bracket to stud or nogging surface using minimum recommended fastening of one No. 12 wood screws, 50mm depth of fixing.
2. For the 310 bracket, attach opposite bracket to adjacent stud or nogging with appropriate screws.
3. For the 310DM bracket, attach to stud and embed mortar keys into the brickwork.
4. Use a spacing of no more than 600x600mm between wall ties. Around openings and control joints the spacing should be halved.

TECHNICAL ASSISTANCE

All Embelton offices can provide detailed technical assistance on the use of this product in specific applications.

CONDITIONS OF SALE

These products are sold subject to the published Embelton General Conditions of Sale, copies of which may be inspected on request.



310 INSTALLATION



310DM WALL INSTALLATION

SPECIFICATION

Wall cavity supports shall incorporate a resilient Shearflex rubber pad in combination with a heavy duty steel bracket. The rubber element shall have a minimum deflection under rated load of 1mm. They shall be type WT310 as supplied by Embelton.