

Wall Isolation Type WC Series

Light Duty Resilient Wall Tie

APPLICATION

The WC series is used for resiliently connecting furring channels to masonry walls. Both variations come complete with fixings screws and channel clips. Resiliently mounting the furring channel helps reduce noise and vibration transmission through a wall cavity. Typically used on lift shaft and plant room walls.

FEATURES

- Resilient rubber isolating element
- Comes complete with furring channel clip
- Masonry fixings included on all variants
- Adjustable furring channel position on WFC Variant
- Easy installation

PERFORMANCE CHARACTERISTICS

Type WC

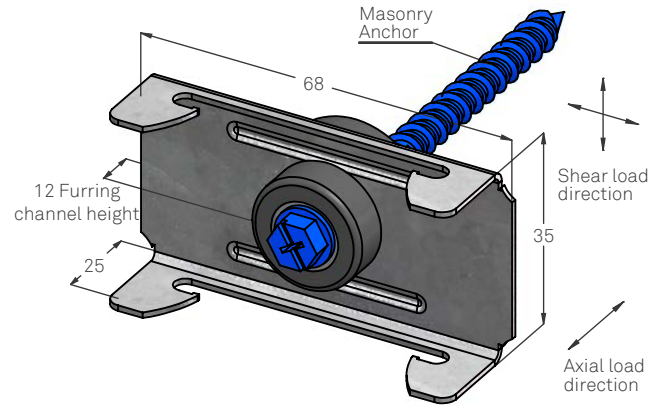
Working load

- Tension: 220N
- Shear: 780N

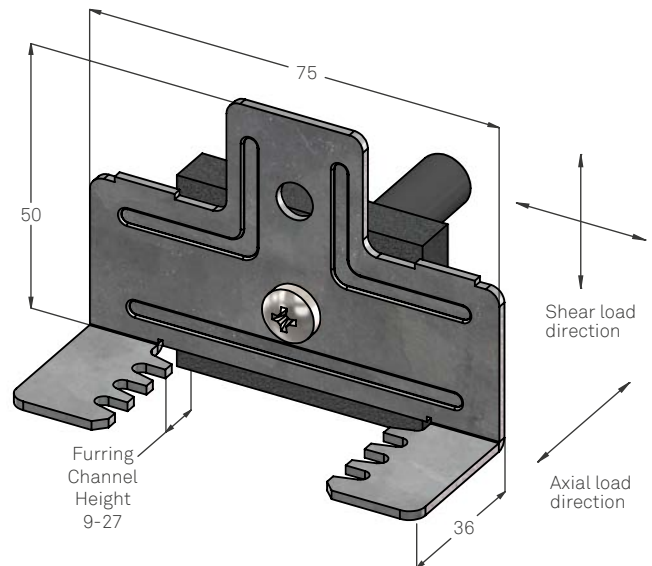
Type WFC

Working load

- Tension: 220N
- Shear: 780N



WC DIMENSIONS



WFC DIMENSIONS

WALL TIE SELECTION

When selecting wall ties, it is recommended that the calculated wall load is overestimated by 10-20% to avoid overloading of any element.

WC INSTALLATION

1. Drill $\varnothing 5 \times 70$ mm hole in masonry.
2. Screw the WC bracket into the hole, allowing for space for packers if required.
3. Level pack between wall and bracket with horseshoe packers.
4. Compress isolation element by 1.5mm.
5. Install brackets at a typical spacing of no greater than 600x1200mm.
6. Insert furring channel into the clip.

Around openings and control joints the spacing should be halved.

WFC INSTALLATION

1. Drill $\varnothing 10 \times 60$ mm hole in masonry.
2. Push WFC bracket into hole.
3. Tighten the screw until the isolation element is compressed by 1.5mm.
4. Insert furring channel into the desired position for leveling the plaster wall.
5. Install brackets at a typical spacing of no greater than 600x1200mm. Around openings and control joints, the spacing should be halved.

TECHNICAL ASSISTANCE

All Embelton offices can provide detailed technical assistance on the use of this product in specific applications.

CONDITIONS OF SALE

These products are sold subject to the published Embelton General Conditions of Sale, copies of which may be inspected on request.



WC INSTALLATION



WFC INSTALLATION

SPECIFICATION

Furring channel supports shall incorporate a resilient rubber element in combination with a furring channel clip. They shall be type WC/WFC as supplied by Embelton.