

Ceiling Hanger Type UB

Single and Double Deflection Rubber

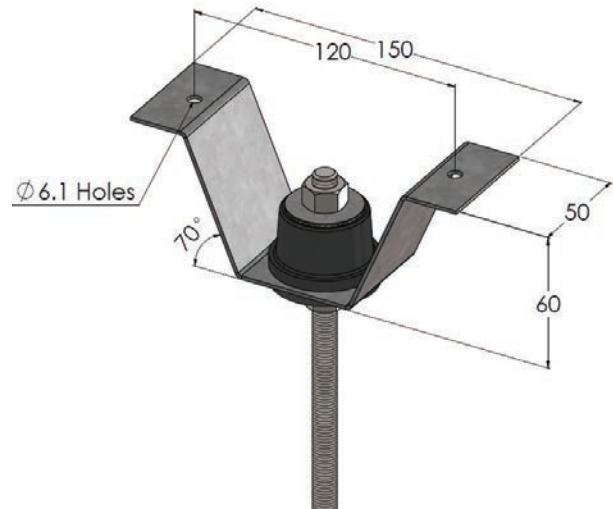
APPLICATION

Typically used for suspended architectural ceilings, where a low cost, low deflection, medium to heavy duty hanger is required for the effective isolation of noise and vibration from the levels above and below the ceiling.

The UB bracket is designed for fixing to the bottom of concrete slabs.

FEATURES

- Static deflection ranges from 5mm to 8mm in single deflection (CHE,RHE) or double deflection (RHDE)
- The active element is colour coded for easy identification of load range
- Sturdy galvanised heavy duty U-shaped bracket
- If mechanical or fire damage occurs, metal plates in the hanger element interlock so that complete loss of support is less likely



UB DIMENSIONS



CONNECTION OPTIONS

* Rod and furring channel clip not included for B connection

UB PRODUCT GUIDE

Bracket	Rubber Element	Rubber Element Colour	Max Load kg	Dynamic Factor	Static Deflection mm		Height Rubber Element mm	
					CHE, RHE	RHDE	CHE, RHE	RHDE
UB	CHE, RHE, RHDE	Blue	17	1.0	5	8	31	38
		White	25	1.0				
		Red	40	1.2				
	RHE, RHDE	Green	55	1.3				

DYNAMIC CHARACTERISTICS

Rubber mounts differ from spring mounts in that the natural frequency is a function not only of deflection, but also of the rubber hardness (durometer), an indication of rubber’s damping capabilities.

The natural frequency is usually greater than indicated by static deflection alone. For effective assessment of natural frequency, multiply natural frequency obtained from static deflection by the dynamic factor given in the table.

PERFORMANCE CHARACTERISTICS

Axial loads: See table – Load deflection is close to linear from 10% to 100% load.

Creep: Maximum 4% deflection per decade of time (ref 1 minute).

HANGER SELECTION

When selecting hangers, it is recommended that the calculated mass of the ceiling is overestimated by 10-20% to avoid overloading of any element. If maximum rated deflections are required, then ceiling should be weighed and an accurate assessment of loads made.

TECHNICAL ASSISTANCE

All Embelton offices can provide detailed technical assistance on the use of this product in specific applications.

CONDITIONS OF SALE

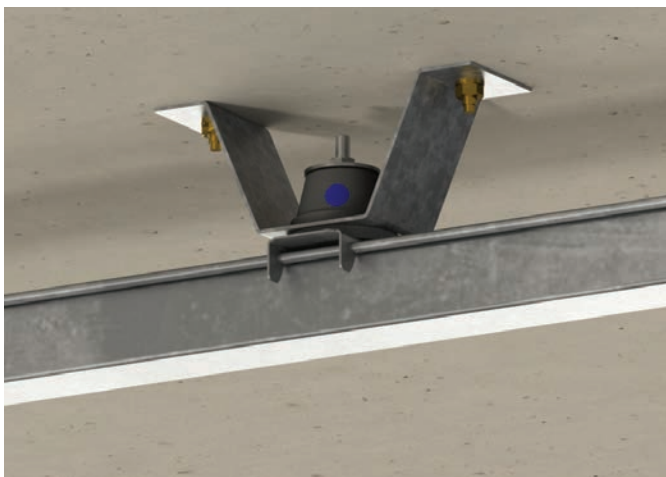
These products are sold subject to the published Embelton General Conditions of Sale, copies of which may be inspected on request.

ORDERING INFORMATION (EXAMPLE)



SPECIFICATION

Ceiling hangers shall have an active rubber element colour coded for easy identification of load capacity, with a deflection under rated load of 5mm to 8mm, incorporating separate steel top and base plates completely embedded in the elastomer, which interlock in the event of fire or mechanical damage. They shall be type UB as supplied by Embelton.



UB-RHE-H-BLUE INSTALLATION