

Acoustical Isolating Sleeve Type IS

Base Plate Fastenings

APPLICATION

To ensure that bolts used to hold isolators down to foundations are acoustically isolated from the base plate. Supplied in kit form comprising a sleeve and flat steel washer for the correct size fastening and hole in the mount base plate.

INSTALLATION

Isolating sleeves should only be tightened a half turn more than hand tight.

TECHNICAL ASSISTANCE

All Embelton offices can provide detailed technical assistance on the use of this product in specific applications.

CONDITIONS OF SALE

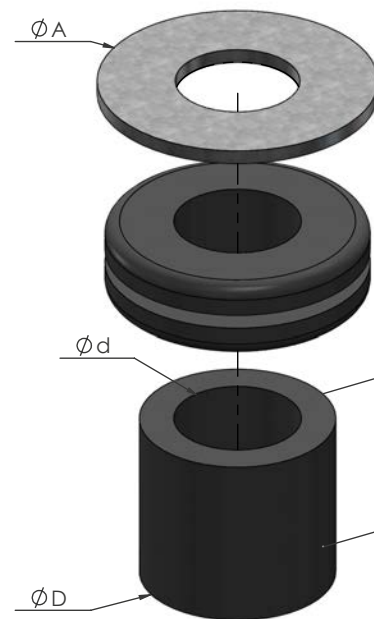
These products are sold subject to the published Embelton General Conditions of Sale, copies of which maybe inspected on request.

SPECIFICATION

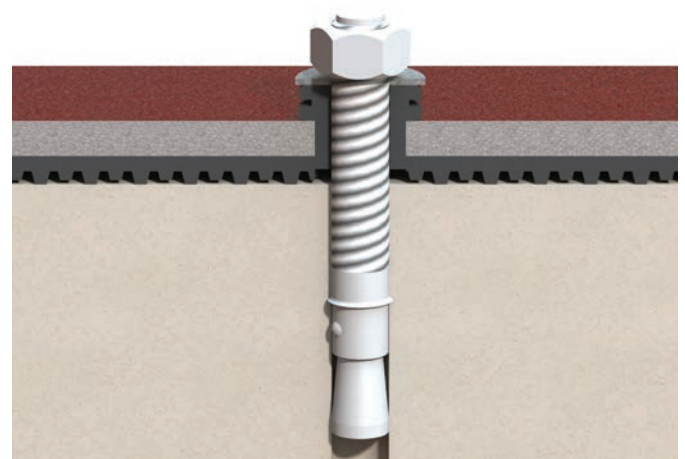
Acoustical isolating sleeves for base plate fastenings shall incorporate flexible rubber components to prevent bolt contact between the fastening and the plate and a steel loading washer. They shall be type IS as supplied by Embelton.

IS PRODUCT GUIDE

Type	d mm	D mm	A mm	L mm
IS6-11	6	14	21	11
IS6-18				18
IS6-22				22
IS6-26				26
IS8-11	8	16	25	11
IS8-18				18
IS8-22				22
IS8-26				26
IS10-11	10	18	25	11
IS10-18				18
IS10-22				22
IS10-26				26
IS13-11	13	20	27	11
IS13-18				18
IS13-22				22
IS13-26				26
IS16-11	16	24	30	11
IS16-18				18
IS16-22				22
IS16-26				26
IS20-11	20	32	50	11
IS20-18				18
IS20-22				22
IS20-26				26



SLEEVE EXPLODED VIEW



SLEEVE ANCHORED