

Wall Isolation Type HWTD-1

±1mm Deflection, Medium Duty Resilient Wall Tie

APPLICATION

The HWTD-1, for axial loads only, is used for applications where a resilient connection is required between timber or metal stud members. This wall tie provides structural support on studs or noggings, while also minimising transmission of structure-borne noise and vibration. They are especially useful for areas requiring high degrees of isolation, such as cinemas and recording studios.

LOAD

Maximum axial load: 600N at ±1mm deflection.

FEATURES

- Resilient natural rubber isolating element
- Rubber isolator pre-compressed to 2mm static deflection
- Rugged, heavy gauge steel bracket
- Can accommodate a gap up to 100mm

OPTION

- Length of threaded rod can be made to order between 40mm and 100mm

MISALIGNMENT CAPABILITY

Because of the resilient rubber mounts, the HWTD-1 brackets can accept a misalignment of up to 1.5mm in any direction parallel to the wall face.

PERFORMANCE CHARACTERISTICS

Axial loads: Load deflection is close to linear from 10% to 100% load.

Creep: Maximum 4% deflection per decade of time (ref 1 minute).

WALL TIE SELECTION

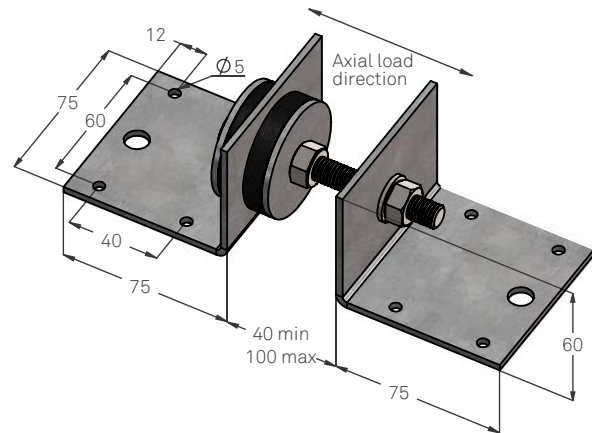
When selecting wall ties, it is recommended that the calculated wall load is overestimated by 10-20% to avoid overloading of any element.

TECHNICAL ASSISTANCE

All Embelton offices can provide detailed technical assistance on the use of this product in specific applications.

CONDITIONS OF SALE

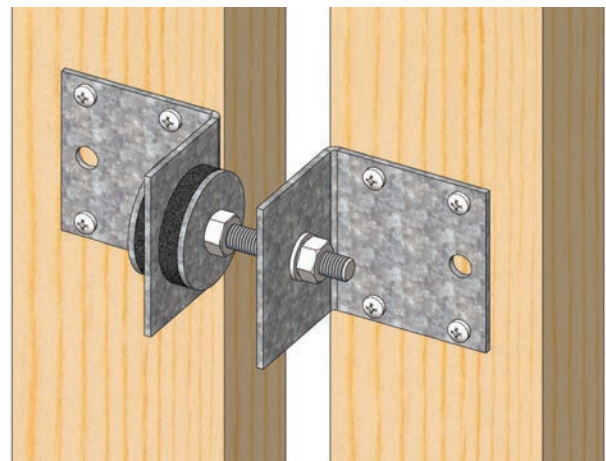
These products are sold subject to the published Embelton General Conditions of Sale, copies of which may be inspected on request.



HWTD-1 DIMENSIONS

INSTALLATION

1. Attach bracket to both studs or nogging surfaces, with a minimum fastening of 8 x Ø4.5x20mm screws (typical).
2. Tighten centre bolts on the rod to make sure that the joists are mounted securely. Make sure that the studs are secured so that they are not pulled out of alignment by the nuts.
3. Use a spacing of 600x600mm between wall ties. Around openings and control joints the spacing should be halved.



HWTD-1 INSTALLATION

SPECIFICATION

Wall cavity supports shall incorporate a pre-compressed resilient rubber element in combination with a heavy duty steel bracket. The rubber element shall have a minimum deflection under rated load of ±1mm. They shall be type HWTD-1 as supplied by Embelton.